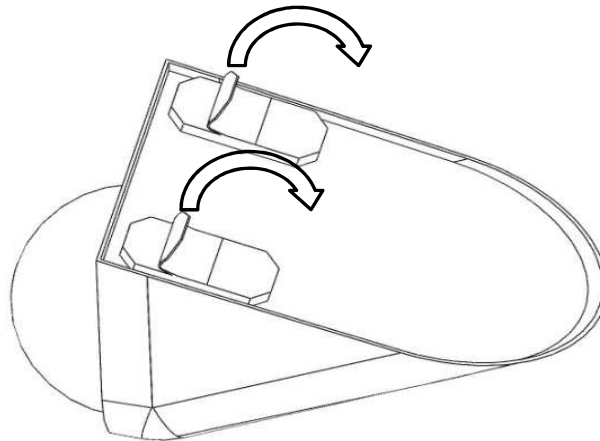


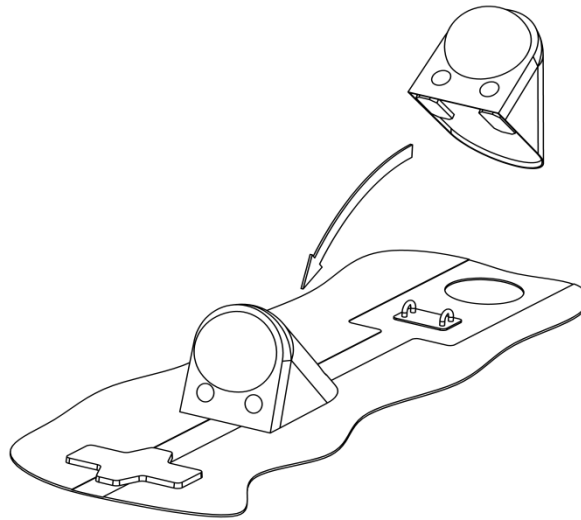
Installation manual

for CarbonParts Laser Compass

1. Ensure the area you have designated for your compass is clean and dry.
2. Peel off the backing for the two 3M Dual Lock tape on the bottom side of the compass



3. Press the compass firmly onto the area of the boat you have designated. Pay particular attention to making sure the long axis of the compass is parallel to the boat's center line



The compass rose sits slightly loose inside the carbon housing. This doesn't affect the waterproofness or the functioning of the CarbonParts Laser Compass.

CarbonParts

Made in Germany

If you have further question write us at info@carbonpartsgermany.de

Enjoy sailing!